
PRODUCT GUIDE

Chapter 5 *TeraSpin cradles*



1st edition 2015

Research and Development is a continuous process. Hence, some of the information provided in this PRODUCT GUIDE may have become obsolete with TeraSpin's new developments in technology.

TeraSpin is a business unit of A.T.E. Enterprises Private Limited, a company engaged in the service of the textile industry since 1939. TeraSpin came into existence in 2012 after A.T.E.'s takeover of SKF India's textile spinning component business. Since then it has been innovating and making continual improvements in quality and reliability in the service of spinning mills and machinery manufacturers around the world.

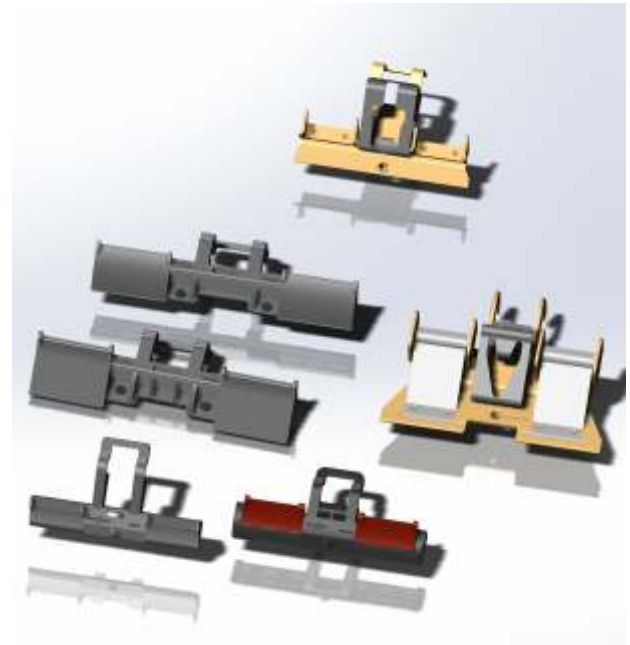
TeraSpin's product range consists of weighting arms, top rollers & cradles for roving frame and ring frame, spindle bearing units and complete spindles for ring frames and doubling frames. TeraSpin also offers customized upgrades for existing ring spinning and roving frames.

Website: www.teraspin.com
Email: sales@teraspin.com

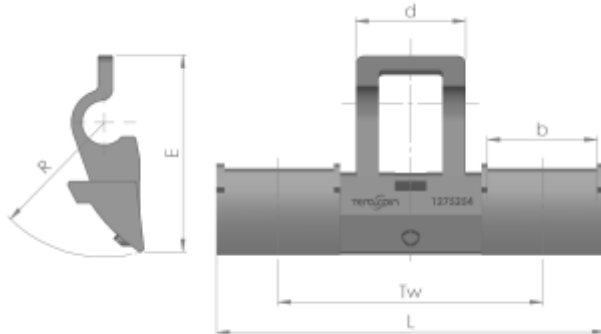
Published by

A.T.E. ENTERPRISES PRIVATE LIMITED

Chapter 5
TeraSpin cradles



OH series of cradles for cotton ring frames

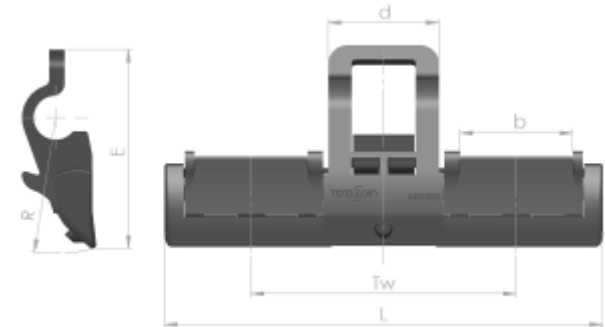


Cradle	Dimensions (mm)					
	Tw	L	R	b	d	E
OH 62 – 1275254	68.4	101	35	28.4	28.4	51.4
OH 62 – 1275267	75	107.6	35	28.4	28.4	51.4

Cradle	Suitable apron top roller	
OH 62 – 1275254	LP S 3681	LP 303-000684
OH 62 – 1275267	LP S 3751	LP 303-000075

Application/s

Machine : Cotton ring frame
 Process : Spinning
 Weighting arm/s : TeraSpin PK 2025 and SKF PK 225
 Raw material/s : Cotton, man-made fibres and their blends
 Fibre length : Cotton - Up to max. 44 mm
 Man-made fibres – Up to max. 40 mm

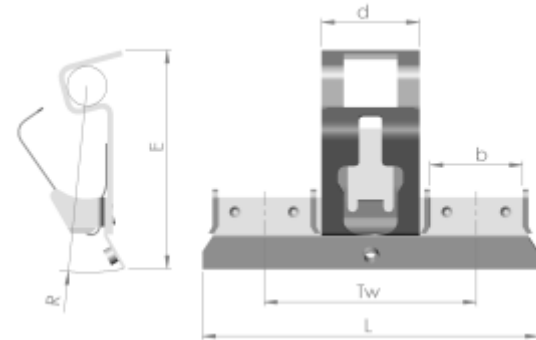
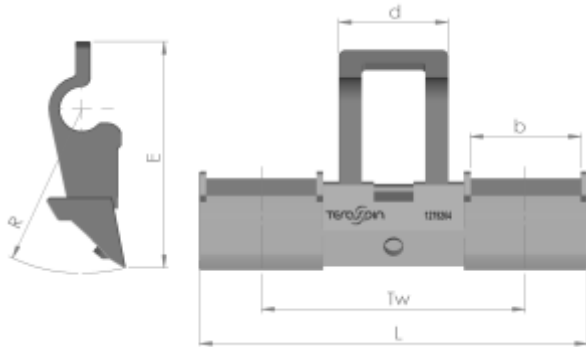


Cradle	Dimensions (mm)					
	Tw	L	R	b	d	E
OH S 168	68.4	113	35	29	28.6	51.8

Cradle	Suitable apron top roller
OH S 168	LP S 3681 LP 303-000684

Application/s

Machine : Cotton ring frame
 Process : Spinning
 Weighting arm/s : TeraSpin PK 2025 and SKF PK 225
 Raw material/s : Cotton, man-made fibres and their blends
 Fibre length : Cotton - Up to max. 44 mm
 Man-made fibres – Up to max. 40 mm



Cradle	Dimensions (mm)					
	Tw	L	R	b	d	E
OH 131 – 1275264	68.4	100.4	42.5	28.5	28.4	58.5

Cradle	Dimensions (mm)					
	Tw	L	R	b	d	E
OH 121 – 000684	68.4	103	58.3	28.4	30	69

Cradle	Suitable apron top roller
OH 131 – 1275264	LP S 3681 LP 303-000684

Cradle	Suitable apron top roller
OH 121 – 000684	LP S 3681 LP 303-000684

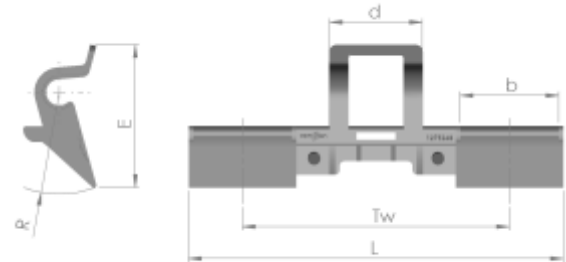
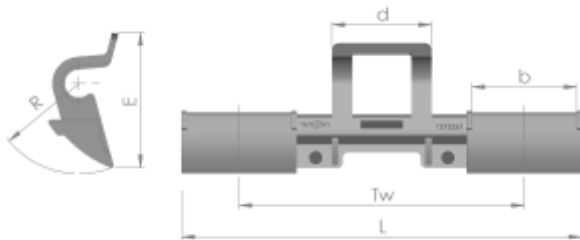
Application/s

Machine : Ring frame
 Process : Spinning
 Weighting arm/s : TeraSpin PK 2035 and SKF PK 235
 Raw material/s : Man-made fibres and their blends
 Fibre length : 45 – 54 mm

Application/s

Machine : Ring frame
 Process : Spinning
 Weighting arm/s : TeraSpin PK 2035 and SKF PK 235
 Raw material/s : Man-made fibres and their blends
 Fibre length : 55 – 60 mm

OH series of cradles for roving frames



Cradle	Dimensions (mm)					
	Tw	L	R	b	d	E
OH 514 – 1275261	110	154	35	40.5	39.4	50

Cradle	Dimensions (mm)					
	Tw	L	R	b	d	E
OH 534 – 1275268	110	154	45	40.5	39.4	50

Cradle	Suitable apron top roller
OH 514 – 1275261	LP 317-000110

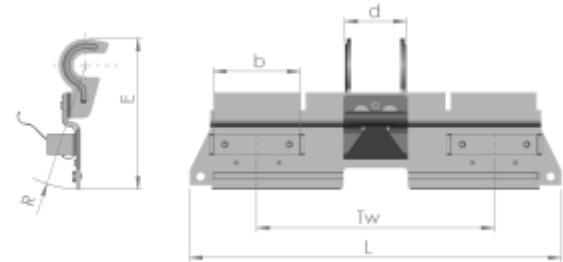
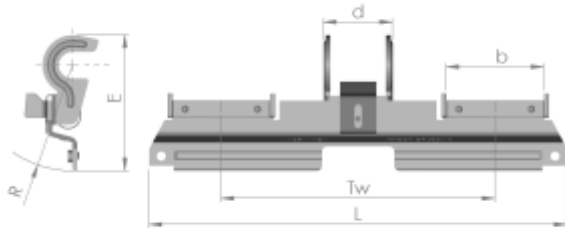
Cradle	Suitable apron top roller
OH 534 – 1275268	LP 317-000110

Application/s

- Machine : Roving frame
- Process : Spinning
- Weighting arm/s : TeraSpin PK 1500 series and PK 1600-40
- Raw material/s : Cotton, Man-made fibres and their blends
- Fibre length : Cotton - Up to max. 44 mm
Man-made fibres – Up to max. 40 mm

Application/s

- Machine : Roving frame
- Process : Spinning
- Weighting arm/s : TeraSpin PK 1500 series and PK 1600-40
- Raw material/s : Man-made fibres and their blends
- Fibre length : 45 – 54 mm



Cradle	Dimensions (mm)					
	Tw	L	R	b	d	E
OH 534 – 000110	110	173	45	40.5	28.6	57.5

Cradle	Dimensions (mm)					
	Tw	L	R	b	d	E
OH 524 – 000110	110	173	60.5	40.5	28.6	73

Cradle	Suitable apron top roller
OH 534 – 000110	LP 317-000110

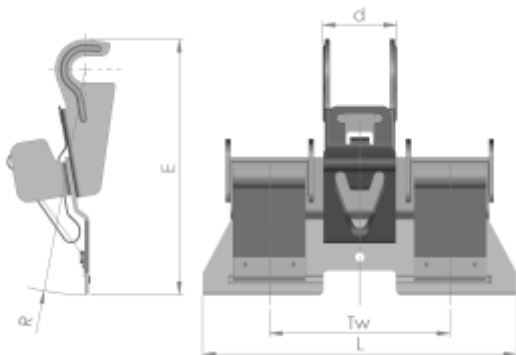
Cradle	Suitable apron top roller
OH 524 – 000110	LP 317-000110

Application/s

Machine : Roving frame
 Process : Spinning
 Weighting arm/s : TeraSpin PK 1500 series and PK 1600-40
 Raw material/s : Man-made fibres and their blends
 Fibre length : 45 – 54 mm

Application/s

Machine : Roving frame
 Process : Spinning
 Weighting arm/s : TeraSpin PK 1500-0962604,
 PK 1500-0962602 and PK 1600-40
 Raw material/s : Man-made fibres and their blends
 Fibre length : 55 – 60 mm

OH series of cradles for worsted ring frames


Cradle	Dimensions (mm)					
	Tw	L	R	b	d	E
OH 554 – 000075	75	130	88.1	32.4	28.6	101

Cradle	Suitable apron top roller
OH 554 – 000075	LP 316-000075

Application/s

- Machine : Worsted ring frame
- Process : Spinning
- Weighting arm/s : TeraSpin PK 1601-01
- Raw material/s : Wool and its blend with man-made fibres
- Fibre length : Up to 200 mm max.



A.T.E. ENTERPRISES PRIVATE LIMITED

(Business Unit: TeraSpin)

Survey no. 251, Sarkhej Bavla Highway (N.H. no. 8A)

Village: Sari, Taluka: Sanand, Ahmedabad - 382 220, India