

Cradles for roving frames and ring frames



Precision components for spinning machines

Quality • Reliability • Innovation

Cradles

Cradles discharge the important function of keeping the apron in position over the rotating apron top roller so that fibres are effectively guided in the main draft zone. TeraSpin cradles are made with Fibre Reinforced Plastic (FRP) for long life and ease of handling.

Features of FRP cradles

- Rigid and stable structure for use under mill conditions
- Lighter in weight as compared to sheet metal cradles
- Design ensures gentle nipping and effective fibre control
- Clean surface for smooth rotation of top aprons
- Can readily replace existing metal cradles

Benefits

- No danger of deformed cradles being used (unlike metal cradles susceptible to deformation) and hence, no danger of producing poor quality of roving/yarn
- Existing spacers can be used on these cradles
- Consistent roving/yarn quality
- Maintenance-free

Smart Cradles **New**

OH S 168 & OH S 175 for ring frames
OH P 110 & OH P 310 for roving frames

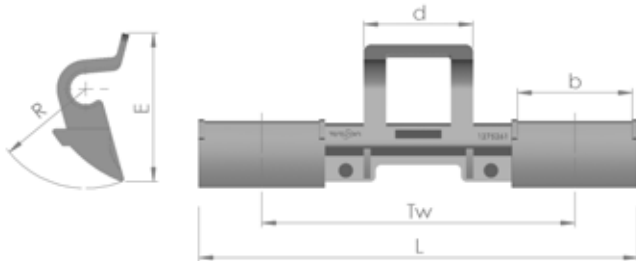
Features of Smart cradles

- Minimum contact area minimises friction during apron rotation
- Unique design ensures a fixed radius and hence a uniform distance between apron nip and front roller nip
- Accommodates variations in apron length & maintains uniform apron tension

Benefits

- Reduced yarn imperfections
- Longer apron working life
- Easy apron removal & mounting during maintenance

Cradles for roving frames



Cradle	Dimensions (mm)					
	Tw	L	R	b	d	E
OH 514 – 1275261	110	154	35	40.5	39.4	50

Cradle	Suitable apron top roller
OH 514 – 1275261	LP 317-000110

Application/s

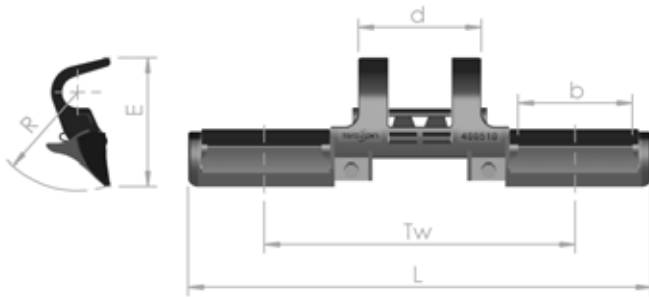
Machine : Roving frame
 Process : Spinning
 Weighting arm/s : TeraSpin PK 1500 series and PK 1600-40
 Raw material/s : Cotton, man-made fibres and their blends
 Fibre length : Cotton – up to max. 44 mm
 Man-made fibres – up to max. 40 mm

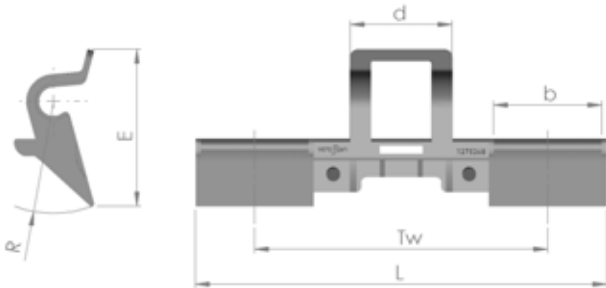
Cradle	Dimensions (mm)					
	Tw	L	R	b	d	E
OH P 110	110	164	35	40.4	43.5	45.3

Cradle	Suitable apron top roller
OH P 110	LP 317-000110

Application/s

Machine : Roving frame
 Process : Spinning
 Weighting arm/s : TeraSpin PK 1500 series and PK 1600-40
 Raw material/s : Cotton, man-made fibres and their blends
 Fibre length : Cotton – up to max. 44 mm
 Man-made fibres – up to max. 40 mm



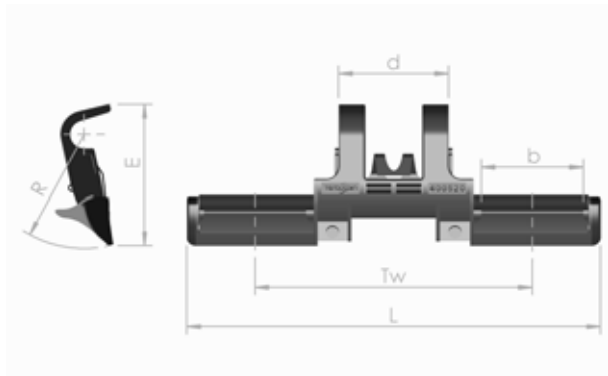


Cradle	Dimensions (mm)					
	Tw	L	R	b	d	E
OH 534 – 1275268	110	154	45	40.5	39.4	50

Cradle	Suitable apron top roller
OH 534 – 1275268	LP 317-000110

Application/s

Machine : Roving frame
 Process : Spinning
 Weighting arm/s: TeraSpin PK 1500 series and PK 1600-40
 Raw material/s : Man-made fibres and their blends
 Fibre length : 45 – 54 mm

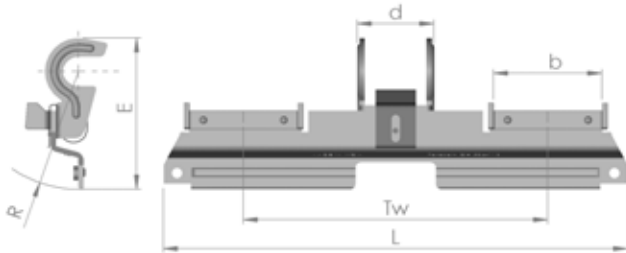


Cradle	Dimensions (mm)					
	Tw	L	R	b	d	E
OH P 310	110	164	45	40.4	43.5	55.6

Cradle	Suitable apron top roller
OH P 310	LP 317-000110

Application/s

Machine : Roving frame
 Process : Spinning
 Weighting arm/s: TeraSpin PK 1500 series and PK 1600-40
 Raw material/s : Man-made fibres and their blends
 Fibre length : 45 – 54 mm

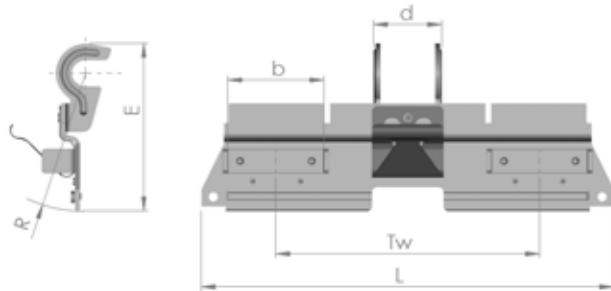


Cradle	Dimensions (mm)					
	Tw	L	R	b	d	E
OH 534 – 000110	110	173	45	40.5	28.6	57.5

Cradle	Suitable apron top roller
OH 534 – 000110	LP 317-000110

Application/s

Machine : Roving frame
 Process : Spinning
 Weighting arm/s : TeraSpin PK 1500 series and PK 1600-40
 Raw material/s : Man-made fibres and their blends
 Fibre length : 45 – 54 mm



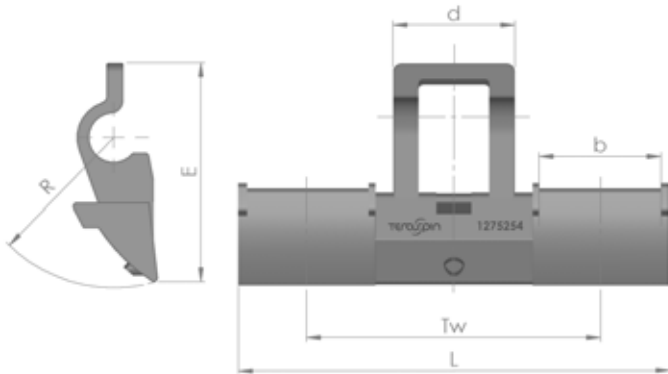
Cradle	Dimensions (mm)					
	Tw	L	R	b	d	E
OH 524 – 000110	110	173	60.5	40.5	28.6	73

Cradle	Suitable apron top roller
OH 524 – 000110	LP 317-000110

Application/s

Machine : Roving frame
 Process : Spinning
 Weighting arm/s : TeraSpin PK 1500-0962604,
 PK 1500-0962602 and PK 1600-40
 Raw material/s : Man-made fibres and their blends
 Fibre length : 55 – 60 mm

Cradles for short staple ring frames

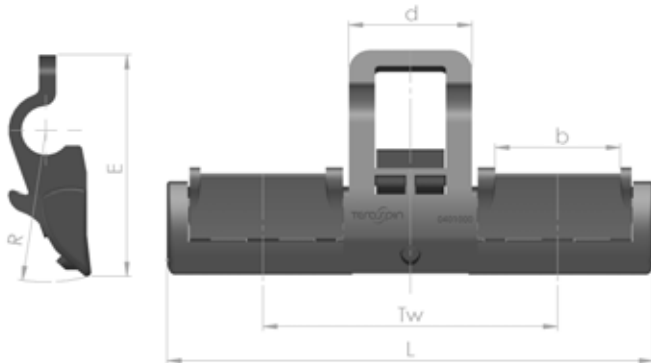


Cradles	Dimensions (mm)					
	Tw	L	R	b	d	E
OH 62 – 1275254	68.4	101	35	28.4	28.4	51.4
OH 62 – 1275267	75	107.6	35	28.4	28.4	51.4

Cradles	Suitable apron top rollers	
OH 62 – 1275254	LP S 3681	LP 303-000684
OH 62 – 1275267	LP S 3751	LP 303-000075

Application/s

Machine : Cotton ring frame
 Process : Spinning
 Weighting arm/s: TeraSpin PK 2025 and SKF PK 225
 Raw material/s : Cotton, man-made fibres and their blends
 Fibre length : Cotton – up to max. 44 mm
 Man-made fibres – up to max. 40 mm

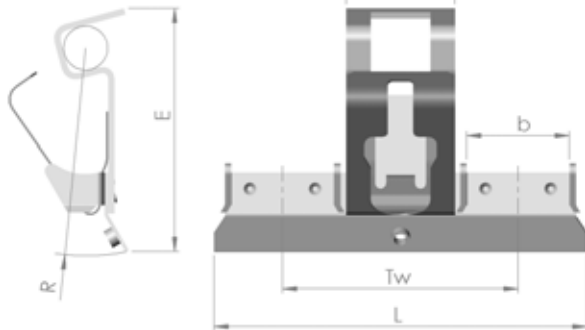
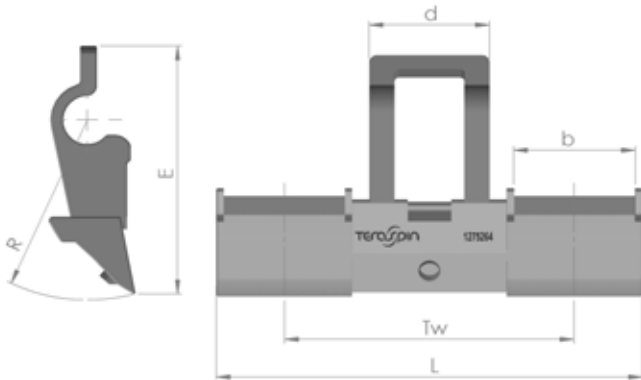


Cradles	Dimensions (mm)					
	Tw	L	R	b	d	E
OH S 168	68.4	113	35	29	28.6	51.8
OH S 175	75.0	115	35	29	28.6	52.0

Cradles	Suitable apron top rollers	
OH S 168	LP S 3681	LP 303-000684
OH S 175	LP S 3751	LP 303-000075

Application/s

Machine : Cotton ring frame
 Process : Spinning
 Weighting arm/s: TeraSpin PK 2025 and SKF PK 225
 Raw material/s : Cotton, man-made fibres and their blends
 Fibre length : Cotton – up to max. 44 mm
 Man-made fibres – up to max. 40 mm



Cradle	Dimensions (mm)					
	Tw	L	R	b	d	E
OH 131 – 1275264	68.4	100.4	42.5	28.5	28.4	58.5

Cradle	Suitable apron top rollers
OH 131 – 1275264	LP S 3681 LP 303-000684

Application/s

Machine : Ring frame
 Process : Spinning
 Weighting arm/s: TeraSpin PK 2035 and SKF PK 235
 Raw material/s : Man-made fibres and their blends
 Fibre length : 45 – 54 mm

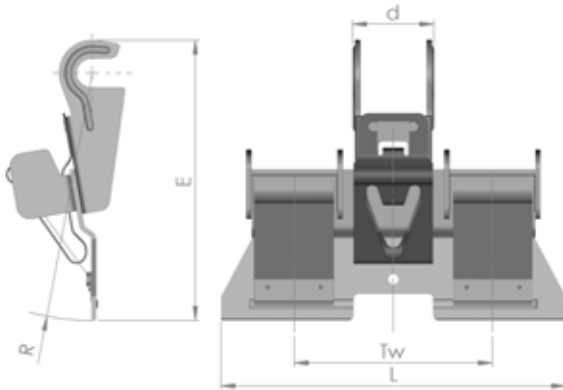
Cradle	Dimensions (mm)					
	Tw	L	R	b	d	E
OH 121 – 000684	68.4	103	58.3	28.4	30	69

Cradle	Suitable apron top rollers
OH 121 – 000684	LP S 3681 LP 303-000684

Application/s

Machine : Ring frame
 Process : Spinning
 Weighting arm/s: TeraSpin PK 2035 and SKF PK 235
 Raw material/s : Man-made fibres and their blends
 Fibre length : 55 – 60 mm

Cradle for worsted ring frames



Cradle	Dimensions (mm)					
	Tw	L	R	b	d	E
OH 554 – 000075	75	130	88.1	32.4	28.6	101

Cradle	Suitable apron top roller
OH 554 – 000075	LP 316-000075

Application/s

Machine : Worsted ring frame
 Process : Spinning
 Weighting arm/s: TeraSpin PK 1601-01
 Raw material/s : Wool and its blends with man-made fibres
 Fibre length : Up to 200 mm max.



A.T.E. ENTERPRISES PRIVATE LIMITED

(Business Unit: TeraSpin)

Survey no. 251, Sarkhej Bavla Highway (N.H. no. 8A), Village: Sari

Taluka: Sanand, Ahmedabad 382 220, Gujarat, India

T: +91-2717-699061 E: sales@teraspin.com W: www.atigroup.com/teraspin

CIN: U51503MH2001PTC132921

partnering
people & the planet