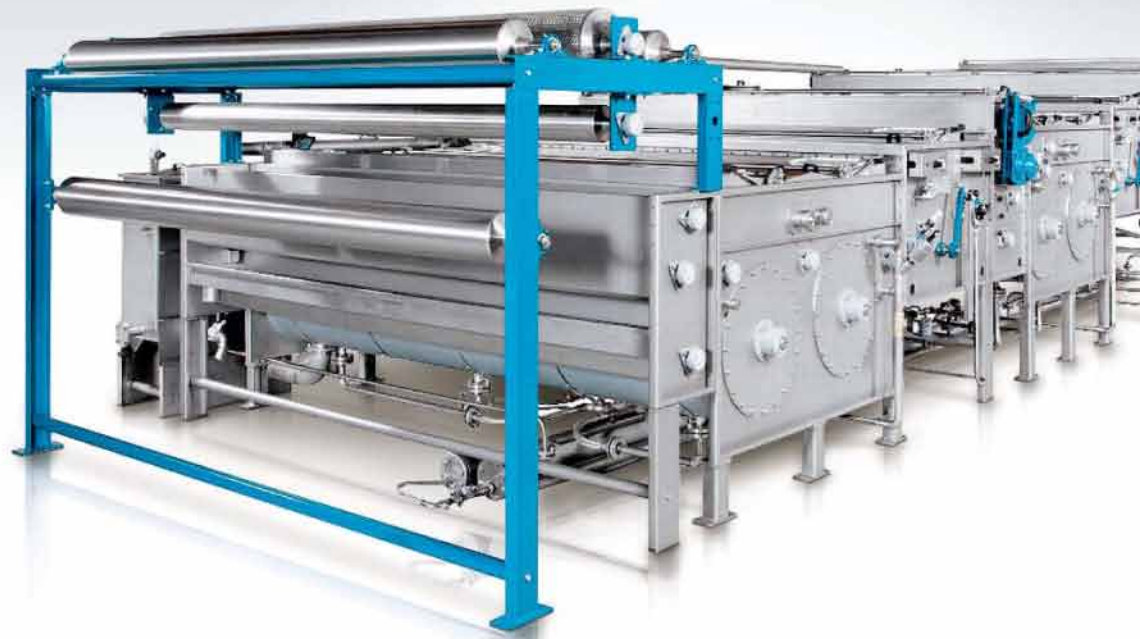


LOW TENSION
WASHING

SYSTEMATIC
WASHING

MODULAR
PRETREATMENT

MERCERISING



GOLLER SINTENSA PLUS

The new generation produces top grade quality and supports ambitious textile solutions. SINTENSA PLUS represents the recent benchmark for gentle and low tension processing.

SUSTAINABLE AND GENTLE – LOW TENSION TREATMENT MEETS VERSATILITY.

BE AHEAD YOUR COMPETITORS Regardless of whether it is technical textiles or lingerie – GOLLER SINTENSA PLUS is the one, for it all. No compromise in quality, flexibility and saving resources.

AUTOMOTIVE



TECHNICAL TEXTILES



SPORT TEXTILES



BODYWEAR



COMPETITIVE

SINTENSA PLUS unique technology, design and features shorten the consumption of water, energy and processing chemicals significantly.

FLEXIBLE

SINTENSA PLUS especially designed to meet tomorrow's requirements regardless if knitted, woven or elastics. One system offering washing solutions. Flexibility at its best.

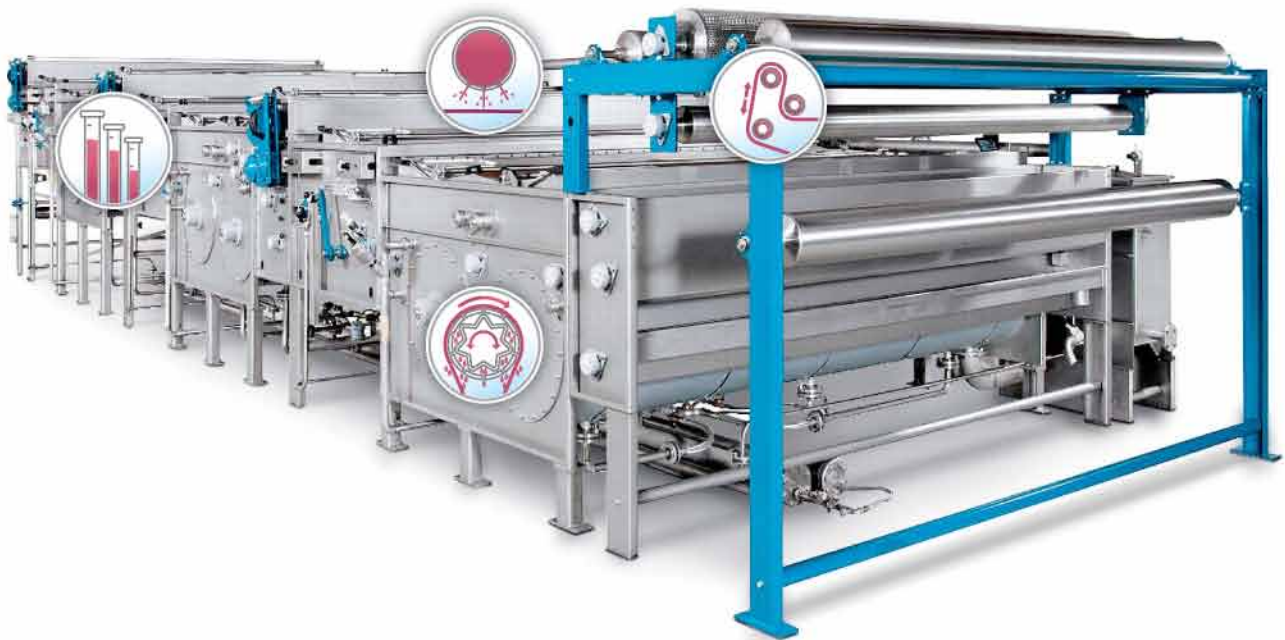
GENTLE

SINTENSA PLUS handles your lightweight and delicate fabrics in finest yarn counts and gauges with care – pushing your limits farther. Knits and woven fabrics from lightest up to medium weight and virtually any fibre or blend can be processed.

INNOVATIVE

SINTENSA PLUS makes top grade quality meet ambitious textile solutions. Whatever tomorrow's task will be SINTENSA PLUS is the innovative answer.

GOLLER SINTENSA PLUS



HIGH TURBULENCE – HIGH KINETIC

A rotor with a special built in perforated washing drum. The rotor speed and the moving direction are both adjustable to generate the maximum turbulence and cross flow. The combination of high turbulence and short liquor content ensures that there is no risk of back staining of the already removed impurities. Optimum washing effects are guaranteed and the risk of separating of spun oil or impurities is minimized.



HIGH EFFICIENCY POWER-SPRAY

A high efficiency spray and drum arrangement increases the washing to the peak performance. A set of three coupled sprays placed on left and right side of the fabric supports optimize surface penetration and wash-down effect. As a standard, it is equipped with an automatic or manual filter system and circulation.



LOW TENSION

An on the spot engineering solution, consisting of individual drive systems, controlled by load cell opens up the opportunity to process most delicate fabrics with the lowest linear tension possible. The consequent use of specially shaped scroll expanders completely guarantees uncurling of the selvages.

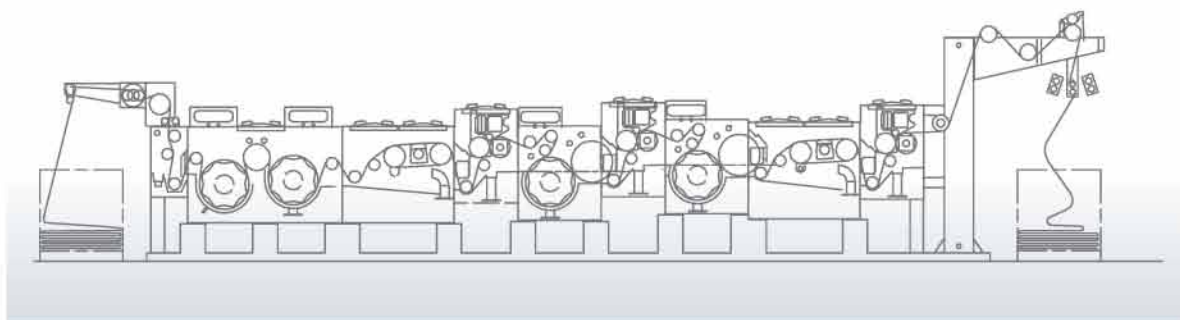


LESS CHEMICALS

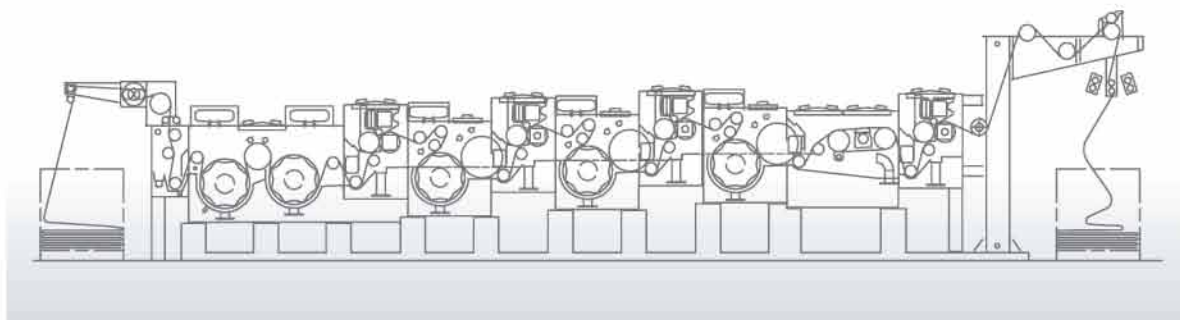
The smart MULTIDATA programming for all media feeding system is the basis for on-demand dosing. The programmable water feeding is flow meter controlled, whilst the computerized dosing of chemicals is weight proportionally based. The Multidata PLC gives a high degree of automation, which almost excludes human errors.

EXAMPLES FOR SINTENSA PLUS CONFIGURATIONS

SINTENSA PLUS equipped with VACUSET vacuum technology Spun oil washing.



SINTENSA PLUS washing after printing equipped with UNIRELAXA soaping compartment.



As a member of FONG'S Industries Group, the world's largest supplier of piece and yarn dyeing equipment, continuous washing ranges and other finishing equipment, we always strictly pursue the goal of achieving permanent further development of all our products towards best quality, minimum water consumption and a sustainable reduction in environmental impact.



FONG'S NATIONAL ENGINEERING CO., LTD.
8/F., 22-28 Cheung Tat Road,
Tsing Yi, Hong Kong
Phone (852)24 97 33 00
Fax (852)24 97 25 52
E-Mail enquiry@fongs.com

www.fongs.com

FONG'S NATIONAL ENGINEERING (Shenzhen) CO., LTD.
17-19 Lixin Road, Danzhotou Industrial Zone,
Nanwan Sub-District, Longgang District,
Shenzhen, Guangdong, PRC
Postal Code: 518114
Phone: (86) 755 8473 6288
Fax : (86) 755 8473 6154

www.fongs.com

FONG'S EUROPE GMBH
Milchgrundstraße 32
74523 Schwäbisch Hall, Germany
Phone (49) 791 403 0
Fax (49) 791 403 166
E-Mail info@fongs.eu

www.fongs.eu

GOLLER (HK) LIMITED
8/F., 22-28 Cheung Tat Road,
Tsing Yi, Hong Kong
Phone (852) 24 49 92 80
Fax (852) 24 49 96 38
E-Mail info@goller-hk.com

www.goller-hk.com