

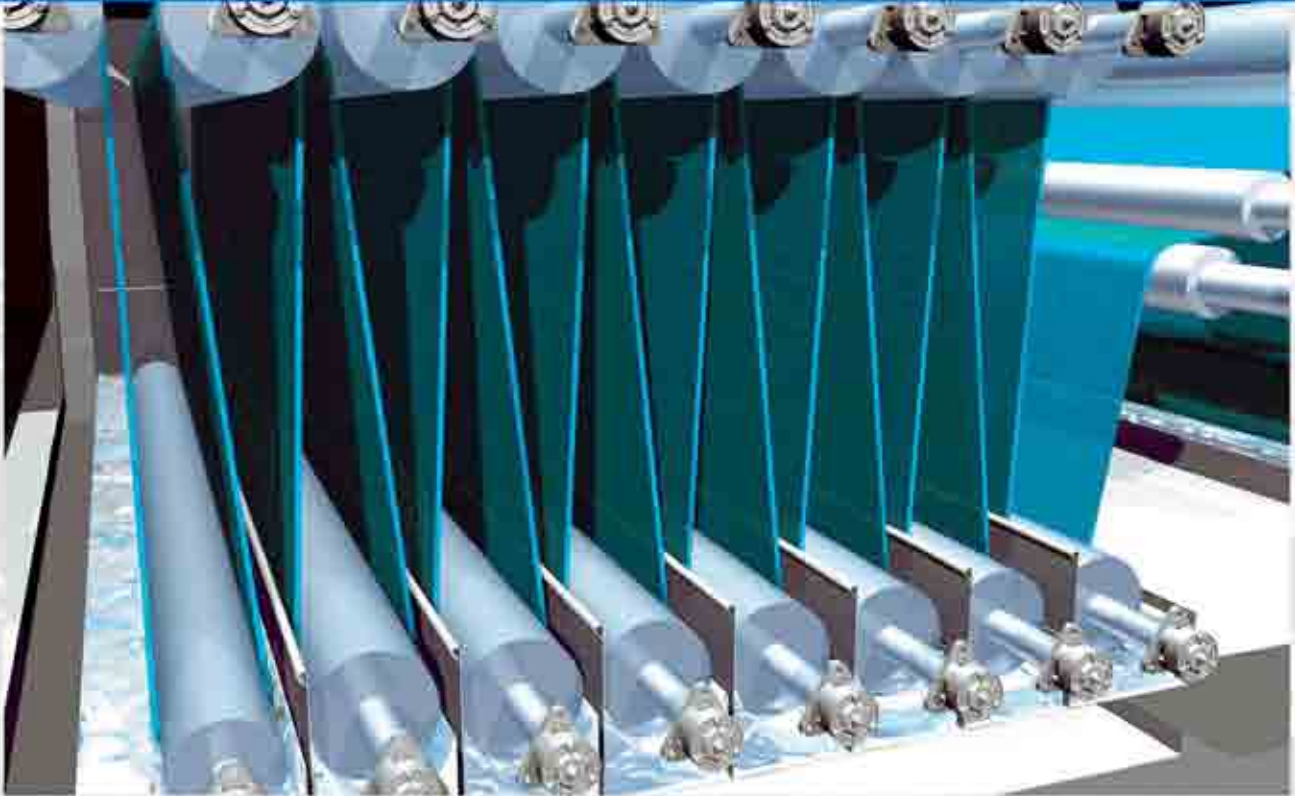
GOLLER - EFFECTA

Systematic Washing

GOLLER - EFFECTA

Perfect Wet Finishing by Systematic Washing

2

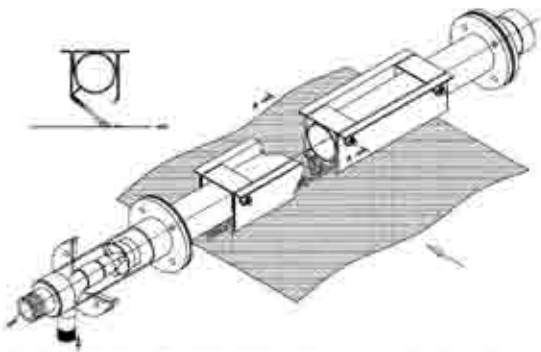


Thanks to its perfect liquor level, the GOLLER EFFECTA provides the best washing results for high-quality woven fabrics.

- Perfect liquor level
- Nip washing
- Low tension and crease-free fabric transport
- Tight strand fabric guiding system
- Minimal use of operation agents
- Reproducibility of finishing results
- Short amortisation time
- Easy to operate

Technical data

Working width	up to 3400 mm
Roller width	up to 3600 mm
Fabric speed	up to 200 m/min
Fabrics	woven



Powerspray / Thermoflush



Cylinder dryer



Superclean



Thermplate

GOLLER - EFFECTA

Components

4 Washing effect

- Perfect liquor level
- Nip washing
- High liquor turbulence
- Crossflow by meandering cascades
- Even temperature distribution



UNIPULSA

- High liquor turbulence
- Intensive liquor cross-flow through the fabric
- Fast liquor exchange
- Effective removal of hardly soluble impurities
- Washing results independent of fabric speed
- Increased washing effect at lower fabric speeds



VACUSET

- Gentle but intensive removal of impurities from fabric surface and fibre core
- Increased liquor exchange
- Bath separation
- Efficient precleaning facilitates following process steps



Process control

- Visualisation of the range
- Machine setting and survey of the operation parameters through PC
- Recipe administration for reproducible results
- Error list
- Protocol of machine conditions
- Remote control via modem
- Consumption data registration (optional)



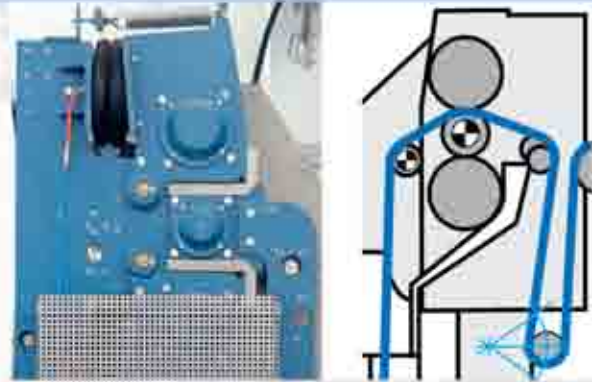
Two roller squeezing device

- Consequent bath separation between the compartments
- Safe fabric transport at minimal fabric tension
- Expanders in front and behind the nip for crease-free fabric run



Three roller squeezing device FXT

- Maximum dewatering of the fabric
- Evenness in dewatering effect over the full width
- Minimal fabric tension
- Crease-free fabric run through expanders



Guide rollers

- Made of 100% stainless steel
- No bending because of big diameter
- Polished surface for easy cleaning
- Light weight roller for lowest possible fabric tension
- Less torque required



Roller shaft

- Heavy-duty construction made of 100% stainless steel
- No shaft breakage because of forged execution

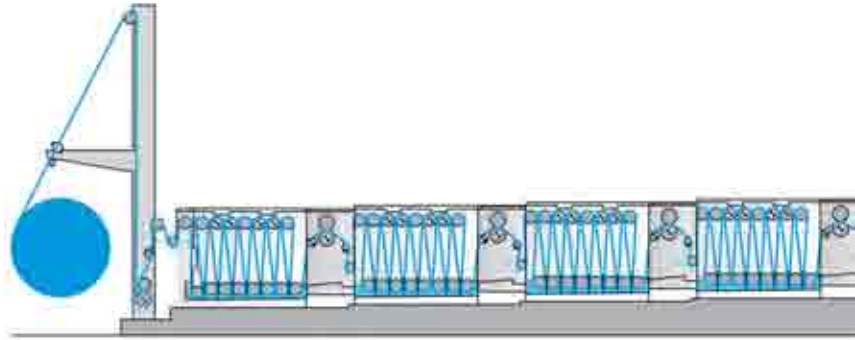


GOLLER - EFFECTA

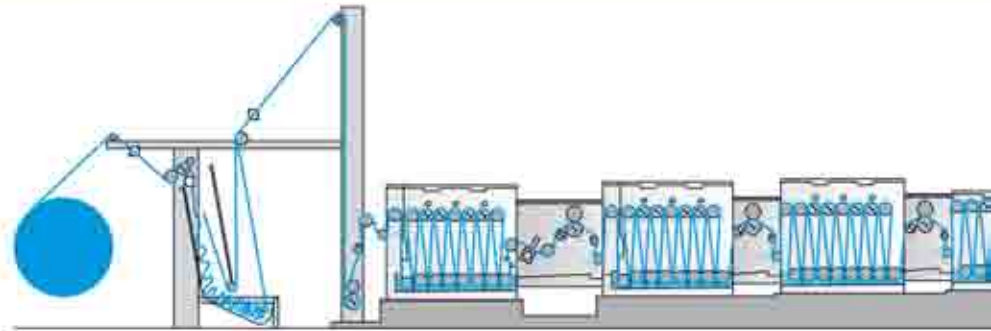
Possible Set-Ups

6

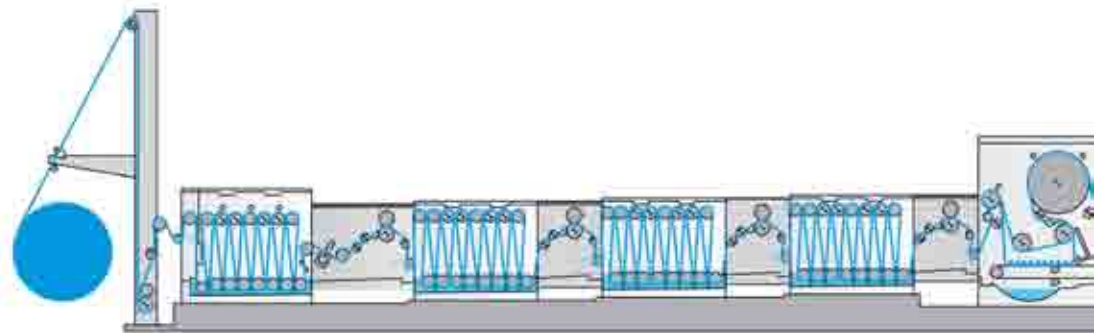
Washing range



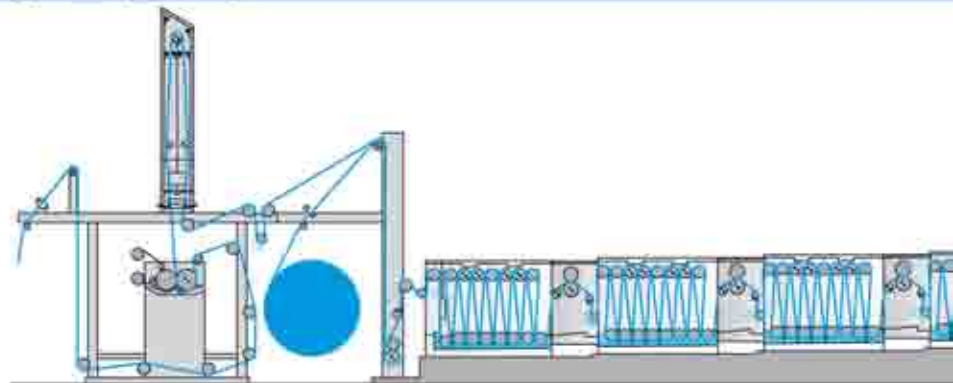
Washing after printing and dyeing

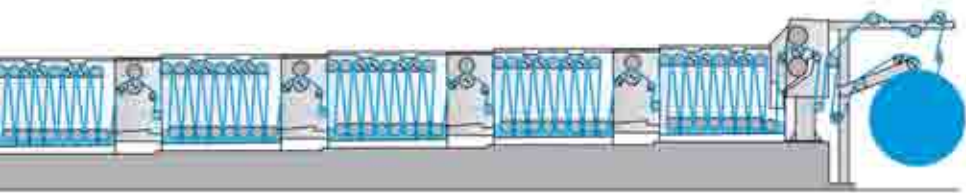
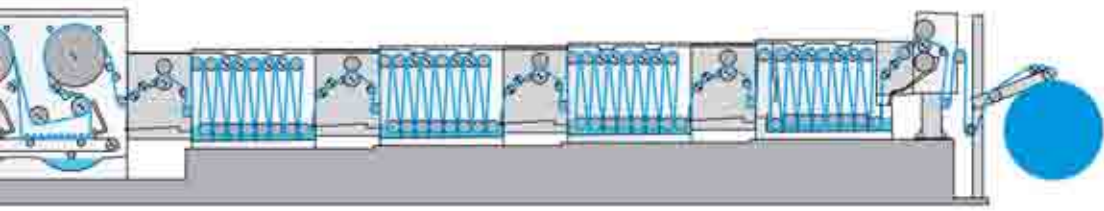
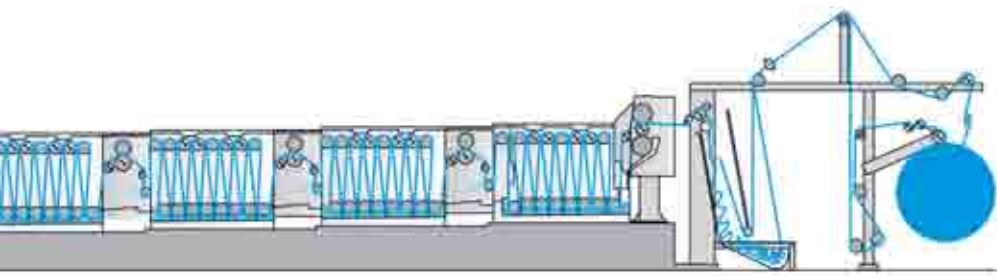
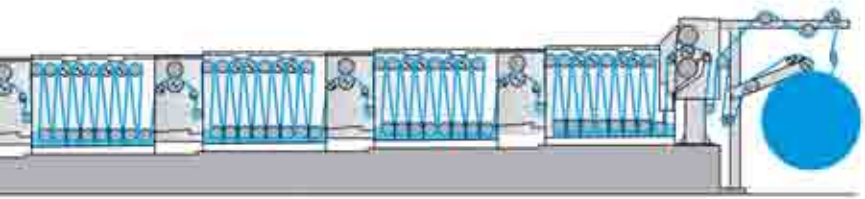


Washing after printing and dyeing



Flash ager together with washing after printing





GOLLER

8



For the sake of textile

we develop, manufacture and deliver wet finishing ranges for more than a hundred years to the worldwide market and are one of the most important producers in this market segment.

Focusing on the whole and detail

GOLLER can provide individually designed systems for continuous and efficient production processes. From desizing to end washing we offer a large scope of sophisticated and high-performance ranges.

Focusing on YOU

Due to the ongoing research and development as well as the constant contact with the textile industry, chemical suppliers and institutes you can rely on a wide knowledge.

Environmental consciousness is one of our top priorities

We care for a clean environment due to the economic use of dyestuffs, auxiliary agents, water and energy. Each drop of liquor, which is running through our machines will be returned environmentally friendly.

Let's talk together

There are 65 agents all over the world available for your individual requirements. Or contact us directly!

FONG'S NATIONAL ENGINEERING CO., LTD.

8/F., 22-28 Cheung Tat Road, Tsing Yi, Hong Kong
Phone (852) 2497 3300
Fax (852) 2432 2552
E-mail enquiry@fongs.com
www.fongs.com

FONG'S NATIONAL ENGINEERING (SHENZHEN) CO., LTD.

17-19 Lixin Road, Danzhotou Industrial Zone, Nanwan Sub-District,
Longgang District, Shenzhen, Guangdong, PRC Postal Code 518114
Phone (86) 755 8473 6288
Fax (86) 755 8473 6154
www.fongs.com

FONG'S EUROPE GMBH

Milchgrundstrasse 32, 74523 Schwäbisch Hall, Germany
Phone (49) 791 403 0
Fax (49) 791 403 166
E-mail info@fongs.eu
www.fongs.eu

GOLLER (HK) Limited

8/F., 22-28 Cheung Tat Road, Tsing Yi, Hong Kong
Phone (852) 2449 9280
Fax (852) 2449 9638
E-mail info@goller-hk.com
www.goller.de

