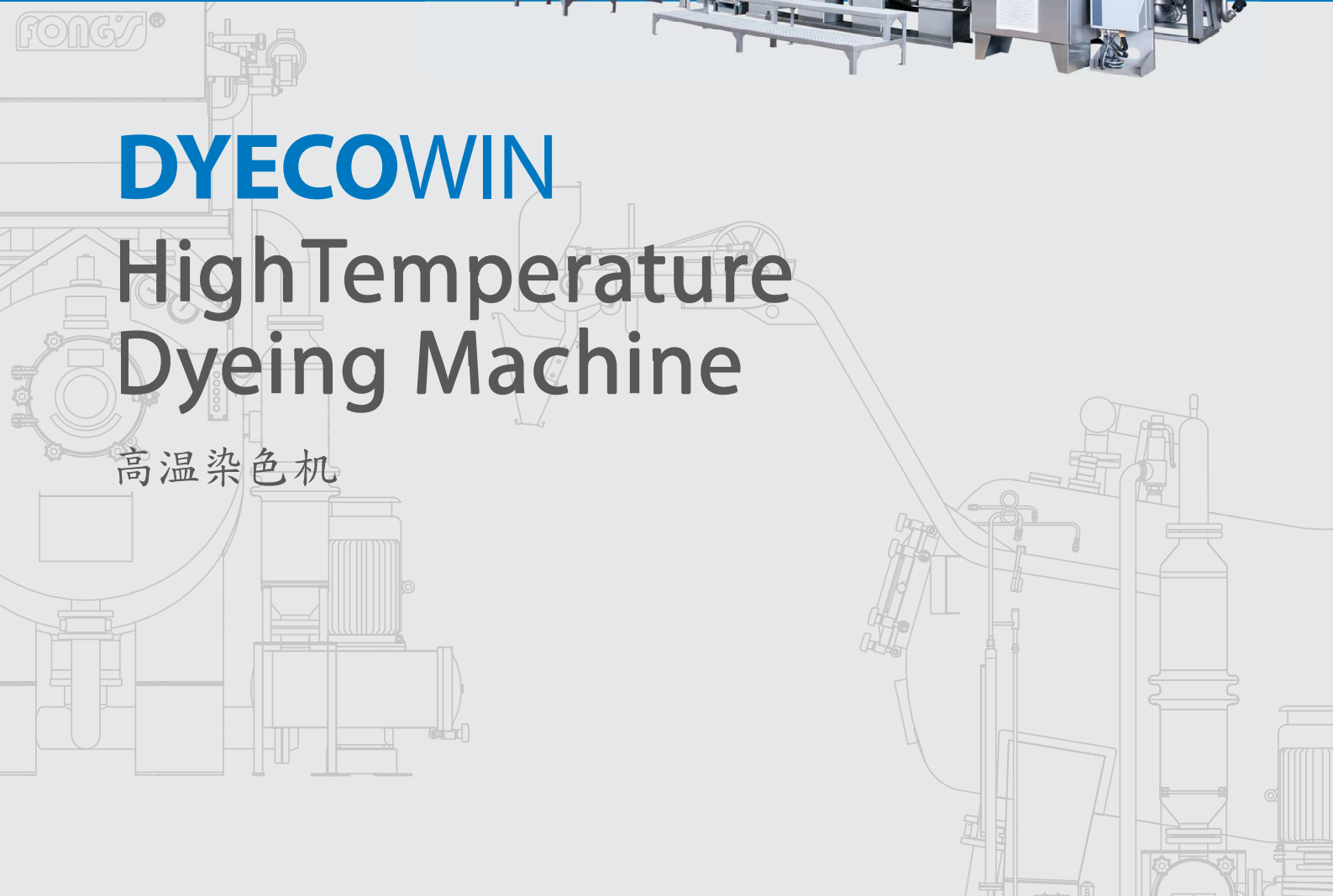




DYECOWIN

High Temperature Dyeing Machine

高温染色机





DYECOWIN

High Temperature Dyeing Machine

高温染色机

恒天立信精心研发的全新高温染色设备，突破传统设计，以提升处染化纤的生产效能为方向，配合先进的科研技术，大大降低染色浴比，当中更有多项专利设计，使客户能提高生产效率，为染整行业带来新的标准。

THE REVOLUTIONARY HIGH TEMPERATURE DYEING MACHINE DEVELOPED BY CHTC FONG'S HAS SET NEW STANDARDS FOR THIS INDUSTRY. INTEGRATED WITH OUR CUTTING-EDGE PATENTED TECHNOLOGIES, DYECOWIN CAN ACHIEVE A MUCH LOWER LIQUOR RATIO WHILE ENHANCING PRODUCTIVITY OF THE DYEING PROCESS.

降低生产成本

突破传统长缸大浴比的设计理念，大大降低染色浴比，满载行机浴比低至约1:5。缸尾装配专利设计的分水装置，根据不同织物的运行特性，灵活调整染液分配，保证织物堆放整齐。

保证染色品质

突破传统设计的无提升滚筒设计，克服了织物运行过程中易缠绕滚筒的弊端；避免了因喷咀与滚筒参数设定不匹配带来的布面疵点，如擦伤，亮光印等，染色效果更优越。可根据处染织物的规格调整CONJET喷咀间隙，精准控制喷咀压力及流量，无需拆卸，操作方便，能保证染色品质。

提高生产效率

独特设计的方形导布管，可使织物运行过程中自由松弛扩张，有利于色折痕的消除，适合于开边染色，省却加工工序。另配合专利设计提高容布量，同时可防止勾丝，擦伤等产生，使敏感织物布面质量得到保证，配合CONJET喷咀及专利设计的导布管，可保证织物滑移畅顺，达到所需工艺的最短循环时间要求，提高生产效率。

Reduce Production Costs

DYECOWIN is a major breakthrough in the long tube machine, operating with a much lower running liquor ratio as low as 1:5. Our patented fluid distributor at the rear of the machine can adjust the distribution of dyeing liquor accordingly with different fabric types, ensuring an organized fabric stacking pattern.

Optimize the Dyeing Quality

The rollerless design overcomes the tangling problem against conventional machines, avoiding fabric surface defects such as scratch marks and shinning marks caused by unsynchronized motion between nozzles and lifting rollers. Our patented 'CONJET' nozzle technology can ensure the quality of finished products by enabling automatic and precise adjustments of flow volume and nozzle pressure.

Enhance Productivity and Efficiency

The rectangular fabric delivering channel allows fabric to have tension relaxation and a smoother run along the channel, reducing crease marks. This design also favors open width dyeing as no additional process is required. The patented stainless steel storage chamber is capable of increasing the loading capacity. When combined with the use of 'CONJET' nozzle, the sensitive fabric can be run smoothly without scratching and snapping. It assures the surface quality of fabric and minimizes the cycle time.

1 高效出布设计 Effective Unloading Design

PATENTED
——专利设计

专利设计的出布滚筒采用独特的不锈钢配胶条设计，具有更高的提布力，做到高效出布。

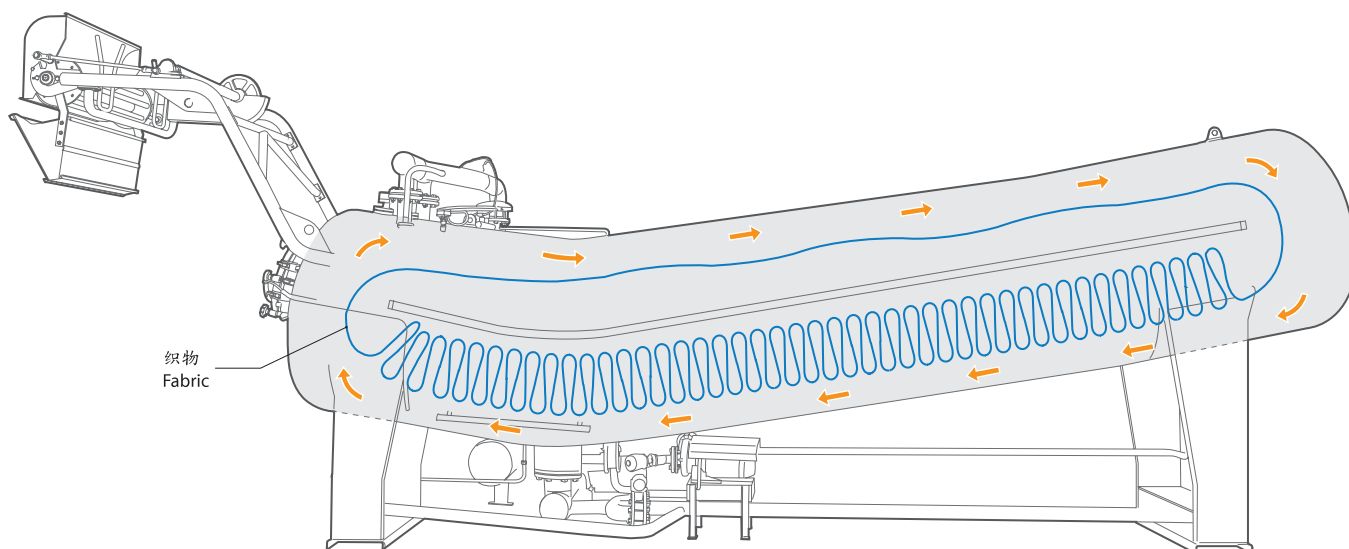
Unloading device is made use of stainless steel and is coated with high gripping material to prevent lifting slippage, and thus achieving an effective unloading operation.



2 高行布速度 High Fabric Speed

轻薄织物的实际运行布速高达600m/min，在保证染色品质的前提下有效提高载量。

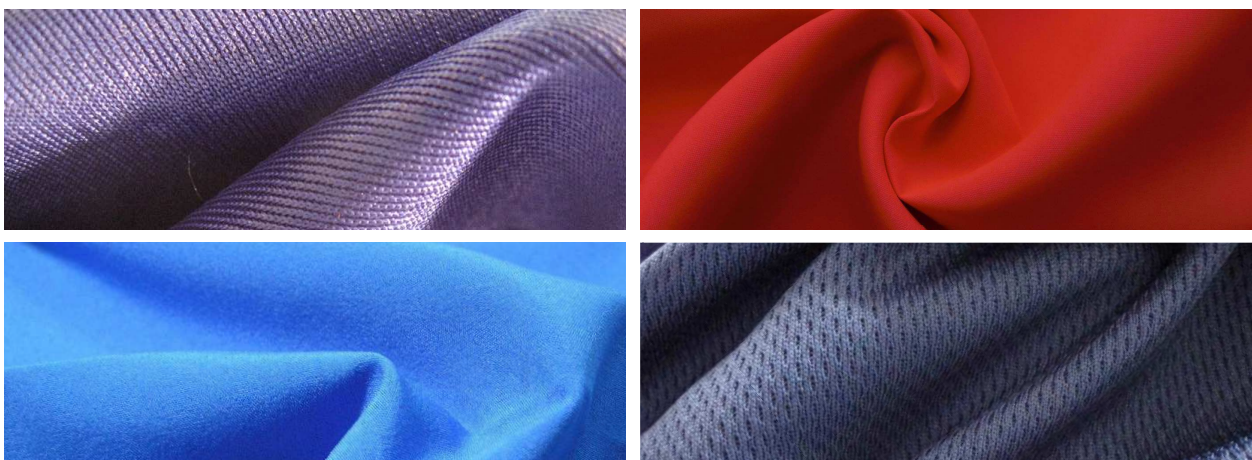
Fabric speed can reach up to 600m/min for light fabrics. It increases the load capacity and maintains outstanding dyeing results.



3 适合于多种化纤织物 Suitable for Various Synthetic Fabrics

适用布种为纯涤纶，纯尼龙，涤纶氨纶，尼龙氨纶等经编或纬编织物；涤纶/尼龙/晴纶/黏胶/氨纶等多组分针织纬编织物；纯涤纶，纯尼龙，涤/锦，涤/锦/黏胶等梭织织物。米克重范围不宜超过350g/m。

DYECOWIN is recommended to handle fabrics with weight up to 350g/m. The fabric types include warp or weft knitted in 100% Polyester, 100% Nylon, Polyester/Spandex and Nylon/Spandex; Weft knitted fabric blended in Polyester/Nylon/Acrylic/Viscose/Spandex; Woven in 100% Polyester, 100% Nylon, Polyester/Nylon and Polyester/Nylon/Viscose.



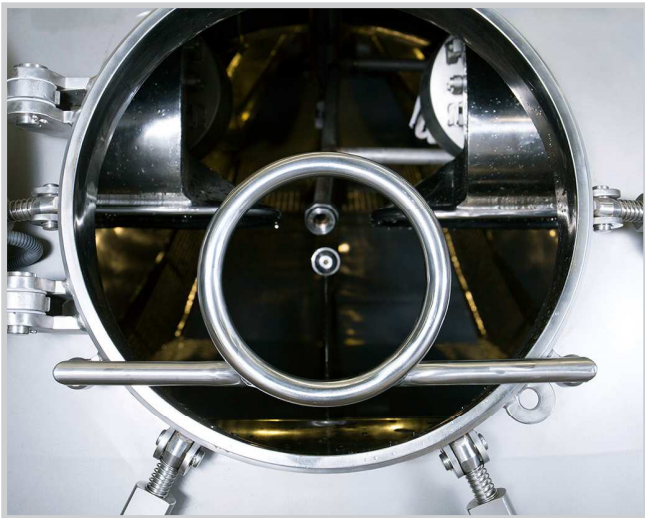
4 多项专利设计 Patented Cutting-edge Technologies

此产品多项技术已申请专利设计，验证了立信染整在设计和技术方面不断创新和领先，致力为客户带来优质的染色设备。

Equipped with Fong's latest patented technologies, we are proud to introduce DYECOWIN to our customers. Fong's National Engineering is leading the industry with innovative designs and technologies; and we are always dedicated to supply the highest quality dyeing equipment and advanced technologies to our customers.

专利 Patent	优点 Advantages
调节染色缸内水流分布的装置 A Device to Adjust Water Distribution in a Dyeing Vessel	能有效调节液体自导布管出口带动织物掉落至储布槽上的水量。 It can effectively adjust the flow volume of the dyeing liquid for fabrics movement from the transportation tube outlet to the storage chamber.
新型出布滚筒设计 Unloading Roller Design	以减低带动织物离开染色缸时可能产生的打滑情况，从而提高出布效率。 It can effectively reduce the slippage occurrence and hence increase the unloading efficiency.
可调式喷嘴装置 An Adjustable Nozzle	操作简易，可直接调节喷嘴间隙，从而控制喷嘴的水流量及速度，以适应不同织物及工艺要求。 The nozzle flow rate can be controlled by adjusting the nozzle gap in simple operation, in order to satisfy different dyeing process conditions and different fabric requirements.
储布槽 Storage Chamber	独特的储布槽设计，能使织物堆叠齐整，增加载布量，并降低染色浴比，有效加快回圈运行时间，提高生产效率。 With the special designed storage chamber, the fabric can be run in an orderly manner, thus increasing the loading capacity, reducing the liquor ratio and shortening the cycle time. And hence the overall production efficiency can be improved.

标准结构 STANDARD STRUCTURE



入布环 Loading Ring



立式离心泵 Vertical Pump



立式热交换器 Vertical Heat Exchanger



过滤器 Filter

操作系统 CONTROL SYSTEM

FC68 程序控制器 FC68 Program Controller

恒天立信最新自主研发的FC68程序控制器，用户可以透过控制器的界面例如：功能流程图、I/O模块通讯页面等，灵活调节行机模式、实时监控机内染色工艺参数以及水洗情况、并可浏览详细的运行及能效数据报告等，能更有效就处染工艺作出全方位的分析以及针对性的调整。

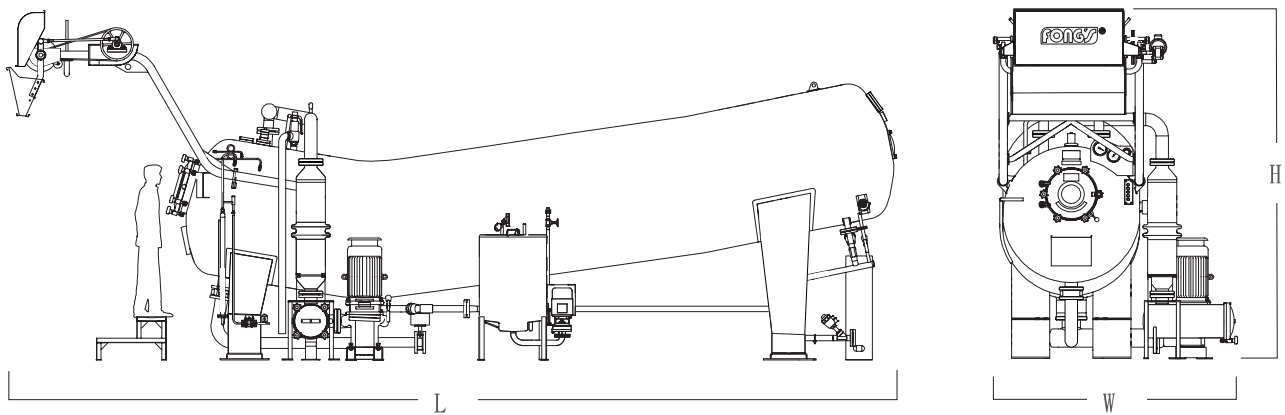
FC68 is the latest version of program controller from CHTC Fong's and it provides various control panel interfaces such as machine's flow diagram, I/O module online signal and etc. Users can regulate the operational combinations, monitor the real-time functional parameters, and also access reports about details on the machine operation and overall consumption. Thus FC68 enables a more comprehensive review on the utilizing dyeing technique.



技术数据 TECHNICAL DATA

设计温度	Design temperature	140°C
设计压力	Design pressure	3.5bar
升温率	Heating gradient	25°C ~ 100°C 平均 approx. 5°C/min 100°C ~ 130°C 平均 approx. 2.5°C/min (以7bar干燥饱和蒸气压力计 dry saturated steam pressure at 7bar)
降温率	Cooling gradient	130°C ~ 100°C 平均 approx. 3°C/min 100°C ~ 80°C 平均 approx. 2°C/min (以25°C 3bar冷却水压力计 cooling water at 3bar, 25°C)

产品规格 PRODUCT SPECIFICATION



型号 Model	管数 No. of Chambers	载量 Capacity (kg)	安装功率 Installed Power (kW)	外型尺寸Dimension(mm)		
				长 L	阔 W	高 H
DYECOWIN-1T60D	1	150 - 250	27	8400	2400	3300
DYECOWIN-2T60D	2	300 - 500	49	8400	5000	3300
DYECOWIN-4T60D	4	600 - 1000	72	8400	8700	3300

备注： • 以上尺寸以标准规格而定。
• 行机功率为染色时的主要能耗。

Remarks: • The above data is referring to the standard configuration.
• Operating Power is the primary energy consumption during dyeing.



DYECOWIN

High Temperature Dyeing Machine

高温染色机

立信染整机械有限公司 FONG'S NATIONAL ENGINEERING CO., LTD.

中国香港九龙长沙湾大南西街 1018 号东方国际大厦 2201 及 2203 室
Units 2201 & 2203, Orient International Tower, 1018 Tai Nan West Street,
Cheung Sha Wan, Kowloon, Hong Kong, PRC

Tel : +852 2497 3300
Fax : +852 2943 8451
E-mail : enquiry@fongs.com

立信染整机械(广东)有限公司 FONG'S NATIONAL ENGINEERING (Guangdong) CO., LTD.

中国广东省中山市翠亨新区香山大道9号
9 Xiangshan Avenue, Cuiheng New District, Zhongshan City,
Guangdong Province, PRC
Postal Code : 528437

Tel : +86 760 8734 2999
Fax : +86 760 8531 1886

FONG'S EUROPE GMBH

Milchgrundstrasse 32,
74523 Schwäbisch Hall, Germany

Tel : +49 791 403 0
Fax : +49 791 403 166
E-mail : info@fongs.eu
Website: www.fongs.eu

销售咨询 SALES ENQUIRY

Tel: +760 8734 2999 Ext. 139 **Fax**: +760-8734 2899 **E-mail**: enquiry@fongs.com

物流查询 LOGISTICS

Tel: +760 8734 2999 Ext. 511 **Fax**: +760-8734 2899 **E-mail**: shipping@fongs.com

技术服务 TECHNICAL SERVICES

Tel: +0760 8734 2999 Ext. 319/320/329 **Fax**: +0760-8734 2899 **E-mail**: service-cc@fongs.com

零件销售 PARTS SALES

Tel: +0760 8734 2999 Ext. 518 **Fax**: +0760-8734 2899 **E-mail**: spareparts@fongs.com

欢迎您透过以下途径与我们联络，我们将竭诚为您提供最优质的服务：
We are dedicated to providing the best service and you are welcome to contact us at the following numbers:

中国客户服务热线
China Services Hotline

400 8236 388

本文件所描述的测试结果或可实现之效益会因工艺、材料、水质以及操作方法之不同而有所差异。
我们保留对本文件所描述之任何产品进行更改及改进的权利，恕不预先通知。本文件的细节仅供参考。

The test results or achievable efficiency could have variance due to difference in dyeing techniques, materials, water quality and operation methods.
We reserve the rights to make changes and improvements to any of the products described in this document without prior notice. Details in this document are provided for reference only.