

Weighting arms for short staple and worsted ring frames



Precision components for spinning machines

Quality • Reliability • Innovation

Weighting arms for short staple and worsted ring frames

TeraSpin weighting arms are characterised by their robust design and corrosion resistant finish. These weighting arms are built to last the lifetime of the ring frame or roving frame. The loading springs used on TeraSpin weighting arms are pre-calibrated for specified loads and last a life time. Each weighting arm exerts the same load on top rollers irrespective of how long they are in use or at what position in the machine they are fastened.

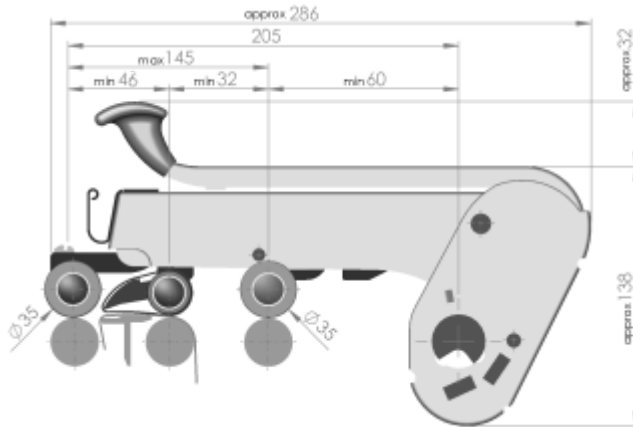
Features

- Reliable loading through leveraged force of helical coil springs
- Choice of load selection on each top roller
- Partial load release

Benefits

- Consistent quality of yarn
- No height gauge setting required after cot buffing within the specified range of the cot diametres
- Free from vagaries of pneumatic pressure loss or pressure variations
- Suitable for a wide variety of fibres and yarn counts
- Virtually maintenance-free
- Long service life

Weighting arm PK 2035 - 1251784



Note: All dimensions are in mm

Dia. of bottom rollers depends on machine manufacturers

^ Top roller cot dia. indicates the dia. of newly mounted cots and they are not in the scope of supply

@ Apron is not in the scope of supply

□ One can use aprons of different thickness

Application/s

Machine : Ring frame with 3-roller-double apron drafting system

Process : Spinning

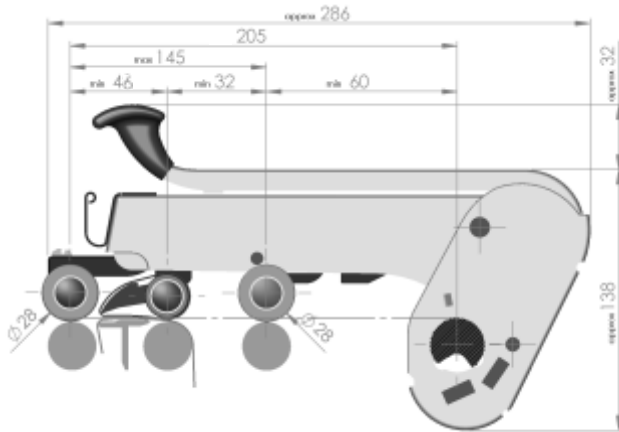
Raw material/s : Man-made fibres and their blends

Combination of cradle and top rollers

Cradles	Top roller at front and back position	Apron top rollers	Recommended top apron size (mm)@	Fibre length (mm)
OH 131 -1275264	LP 302-00068	LP S 3681 LP 303-000684	41.5 x 28 x 0.9 [□]	45 - 54
OH 121-000684	LP 302-000684	LP S 3681 LP 303-000684	51.7 x 28 x 0.9 [□]	55 - 60

Roller position	Bottom roller ø (mm)#	Top roller			
		Cot ø (mm)^	Load in daN		
Front	27 - 30	35	6 and 10	14	18
Middle (with apron)	25 - 27	25	10	14	–
Rear	27 - 30	35	12	16	–

Weighting arm PK 2025 - 22R



Note: All dimensions are in mm

Dia. of bottom rollers depends on machine manufacturers

^ Top roller cot dia. indicates the dia. of newly mounted cots and they are not in the scope of supply

@ Apron is not in the scope of supply

□ One can use aprons of different thickness

Application/s

Machine : Short staple ring frame with 3-roller-double apron drafting system

Process : Spinning

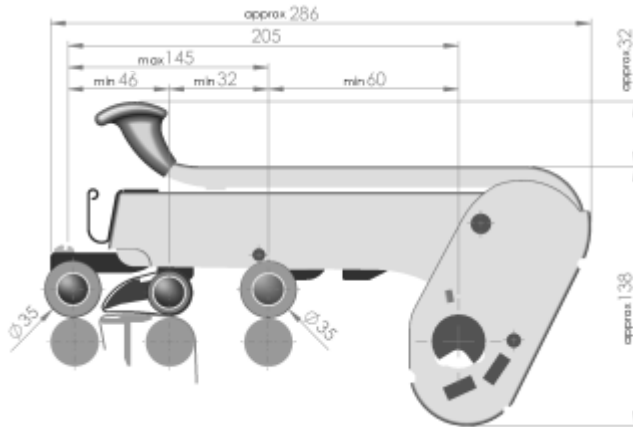
Raw material/s : Cotton, man-made fibres and their blends

Combination of cradle and top rollers

Cradles	Top roller at front and back position	Apron top rollers	Recommended top apron size (mm)@	Fibre length (mm)
OH 62-1275254	LP 302-000684	LP S 3681 LP 303-000684	37 x 28 x 0.9 [#]	Cotton – Up to 45
OH S 168	LP 302-000684	LP S 3681 LP 303-000684		
OH 62-1275267	LP 302-000075	LP S 3751 LP 303-000075		Man-made – Up to 40
OH S 175	LP 302-000075	LP S 3751 LP 303-000075		

Roller position	Bottom roller ø (mm)#	Top roller			
		Cot ø (mm)^	Load in daN		
Front	25 - 27	28	10 and 14	18	22
Middle (with apron)	25 - 27	25	10	14	–
Rear	25 - 27	28	12	16	–

Weighting arm PK 2035 - 22R



Note: All dimensions are in mm

Dia. of bottom rollers depends on machine manufacturers

^ Top roller cot dia. indicates the dia. of newly mounted cots and they are not in the scope of supply

@ Apron is not in the scope of supply

□ One can use aprons of different thickness

Application/s

Machine : Ring frame with 3-roller-double apron drafting system

Process : Spinning

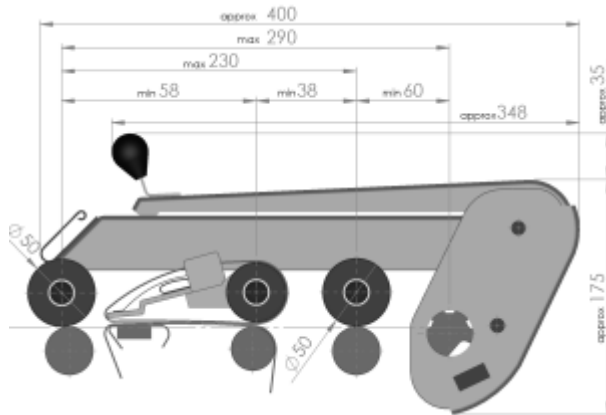
Raw material/s : Man-made fibres and their blends

Combination of cradle and top rollers

Cradles	Top roller at front and back position	Apron top rollers	Recommended top apron size (mm)@	Fibre length (mm)
OH 131 -1275264	LP 302-00068	LP S 3681 LP 303-000684	41.5 x 28 x 0.9 [□]	45 - 54
OH 121-000684	LP 302-000684	LP S 3681 LP 303-000684	51.7 x 28 x 0.9 [□]	55 - 60

Roller position	Bottom roller ø (mm)#	Top roller			
		Cot ø (mm)^	Load in daN		
Front	27 - 30	35	10 and 14	18	22
Middle (with apron)	25 - 27	25	10	14	–
Rear	27 - 30	35	12	16	–

Weighting arm PK 1601-01 YB & PK 1601-01 SB



Note: All dimensions are in mm

Dia. of bottom rollers depends on machine manufacturers

^ Top roller cot dia. indicates the dia. of newly mounted cots and they are not in the scope of supply

@ Apron is not in the scope of supply

* Top apron roller is recessed roller

□ One can use apron of different thickness

Application/s

Machine : Worsted ring frames with 3-roller-double apron drafting system

Process : Spinning

Raw material/s : Wool and its blends with man-made fibres and dry-spun bast fibres

Combination of cradle and top rollers

Cradle	Top roller at front and back position	Apron top roller	Recommended top apron size (mm)@	Fibre length (mm)
OH 554 -000075	LP 314-000075	LP 316-000075	84.1 x 32 x 1 [□]	Upto 200

Roller position	Bottom roller ø (mm)#	Cot ø (mm)^	Top roller			Weighting element
			Load in daN			
			Black	Green	Red	
Front	32-35	50	20	27	35	MD 5
Middle (with apron)	27-30	48*	9	12	15	XR 5-1
Rear	32-35	50	20	25	30	ME 5



TERASpin

A.T.E. ENTERPRISES PRIVATE LIMITED

(Business Unit: TeraSpin)

Survey no. 251, Sarkhej Bavla Highway (N.H. no. 8A), Village: Sari

Taluka: Sanand, Ahmedabad 382 220, Gujarat, India

T: +91-2717-699061 E: sales@teraspin.com W: www.ategroup.com/teraspin

CIN: U51503MH2001PTC132921

partnering^g
people & the planet